



MOTOREINBAU DIESELMOTOR
ENGINE ATTACHMENT, DIESEL ENGINE

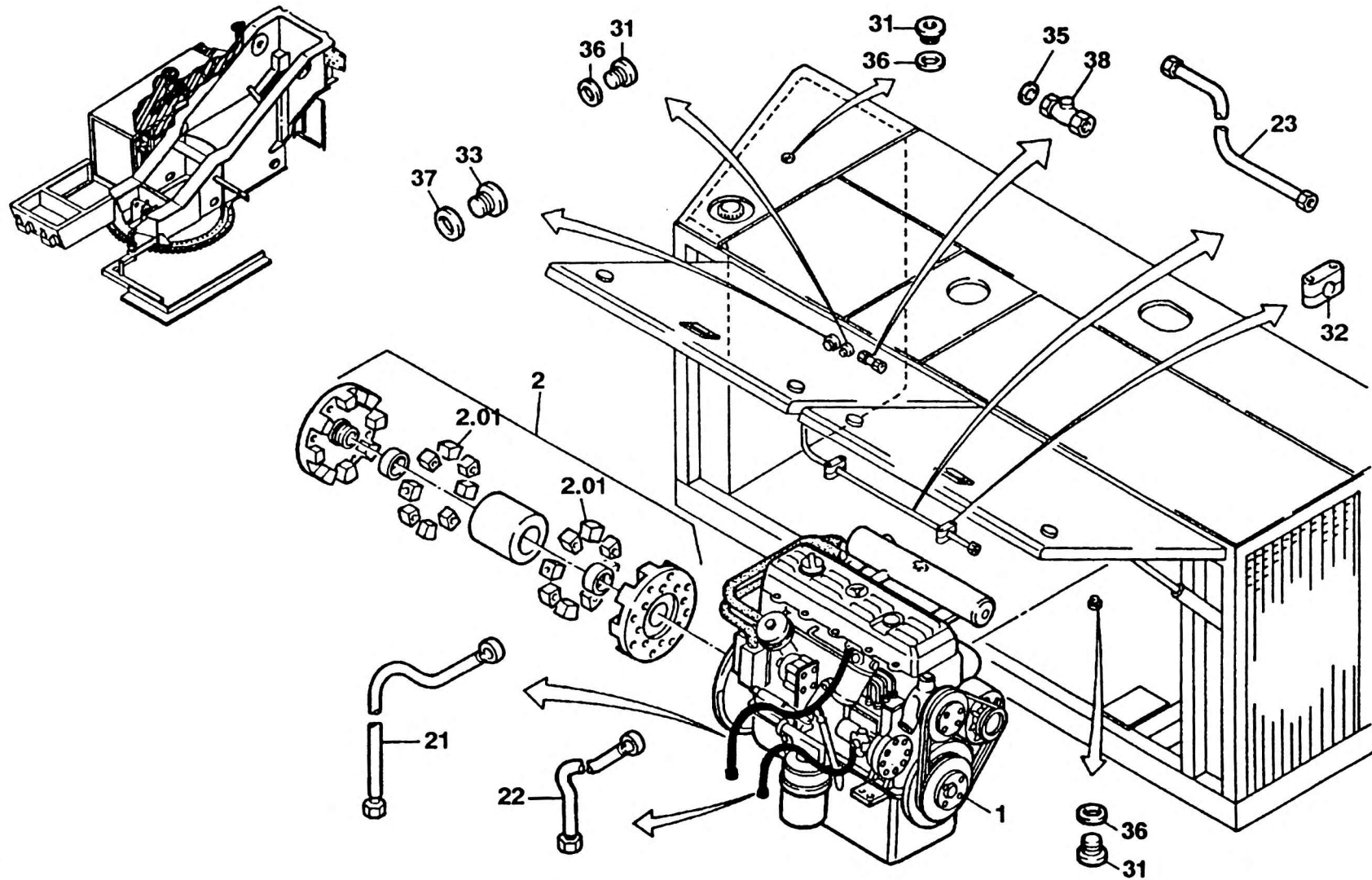
BILDТАFЕL
PICTORIAL DISPLAY

KMK 4080
BE 660
G 626

09.91

2221597-ETL

1/2



A09_087



MOTOREINBAU DIESELMOTOR
ENGINE ATTACHMENT, DIESEL ENGINE

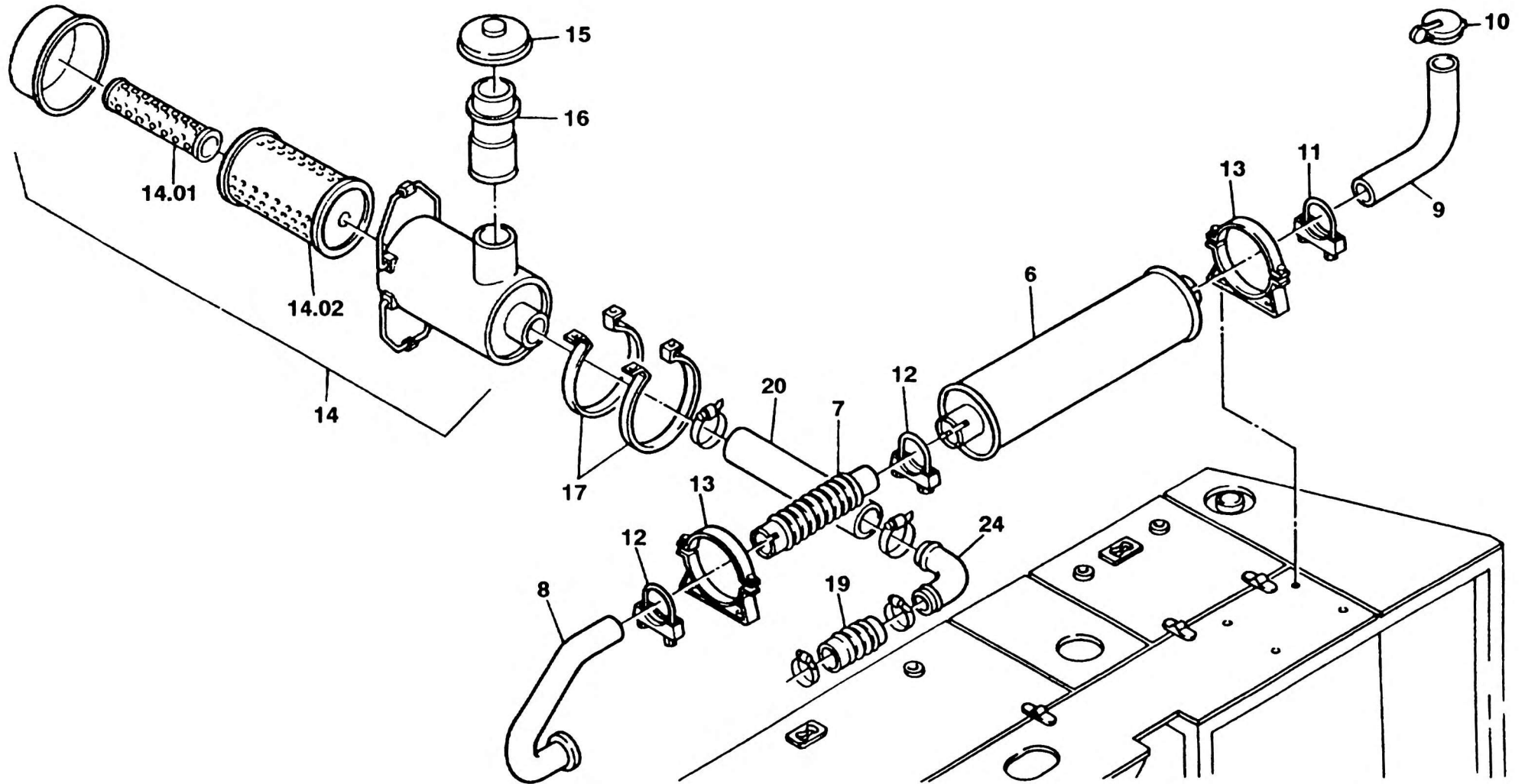
BILDTAFEL
PICTORIAL DISPLAY

09.91

2221597-ETL

2/2

KMK 4080
BE 660
G 626



ACE_088